


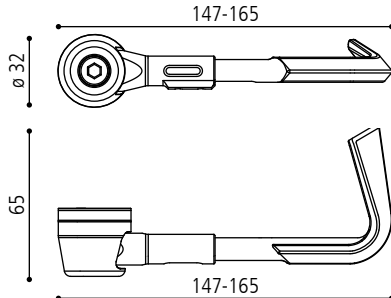


## PROGUARD SYSTEM®

DESIGN REGISTRATION # 1073712 

POSITION				€
RIGHT	LP011A	LP011B	LP011G	
LEFT	LP012A	LP012B	LP012G	

**TECHNICAL INFO**



the kit includes:  
01 screw M6x40  
UNI5931



### ADAPTERS FOR HANDLEBARS Ø 13-20 mm

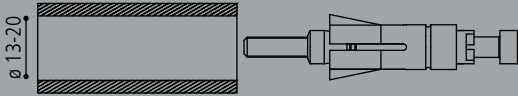
D (mm)	CODE	€ EACH
13-21	LP200B	

### ADAPTERS FOR ORIGINAL HANDLEBARS

MODEL	CODE	€ EACH
BUELL® ALL	LP200B	
DUCATI® ALL	LP200B	
HONDA® ALL	LP200B	
KAWASAKI® ALL	LP305B	
KTM® ALL	LP200B	
SUZUKI® ALL	LP200B	
TRIUMPH® STREET TRIPLE 675	LP310B	
TRIUMPH® STREET TRIPLE R675	LP200B	
TRIUMPH® ALL OTHER MODELS	LP200B	
YAMAHA® YZF R1	INCLUDED	
YAMAHA® YZF R6 06 -	INCLUDED	
YAMAHA® YZF R6 99 - 05	LP200B	
YAMAHA® ALL OTHER MODELS	LP300B	

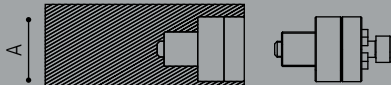
### ADAPTERS

**TECHNICAL INFO**



Ø 13-20

**TECHNICAL INFO**



A = handlebar dimension